

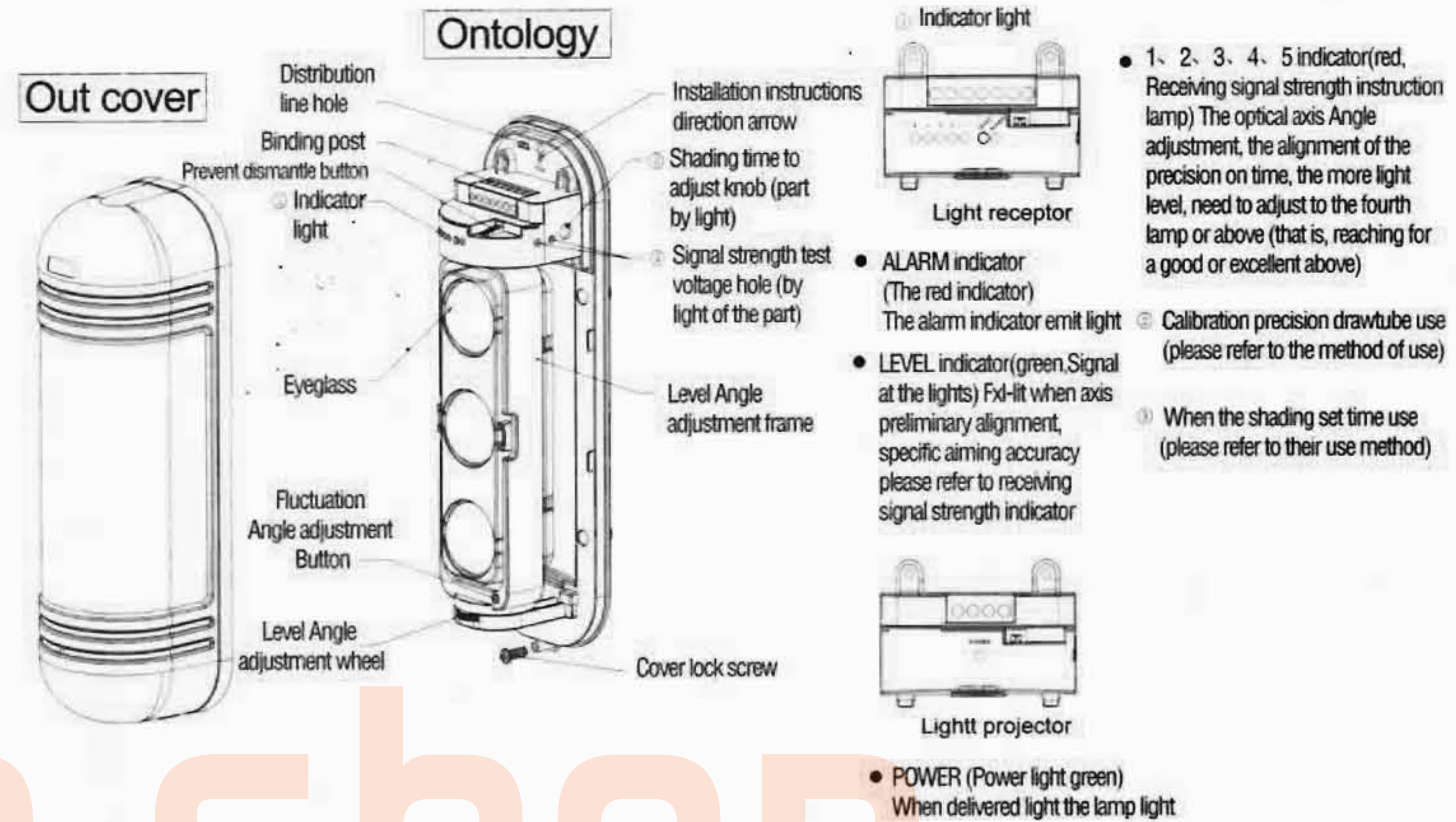
3 beam of light pure digital type by the initiative invasion detectors

TRIPPLICATE PHOTOELECTRIC DETECTOR

Installation using guide

- ABE-50 (Outdoor30M Indoor150M)
- ABE-100 (Outdoor60M Indoor300M)
- ABE-150 (Outdoor80M Indoor450M)
- ABE-200 (Outdoor100M Indoor600M)
- ABE-250 (Outdoor150M Indoor750M)

1 PART NAME



2 Install Caution

Please avoid in the following occasions to install the detectors



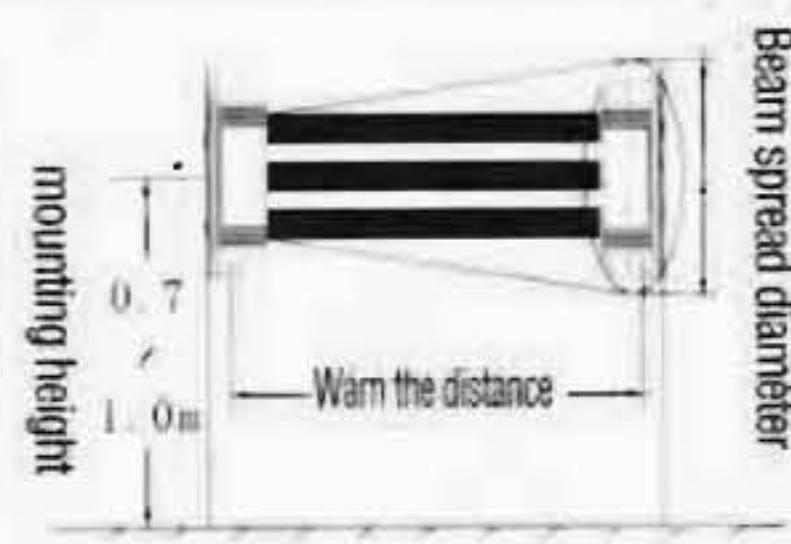
When installation is among obstacles such as trees

Install base does not stable

By sunshine or the light point-blank

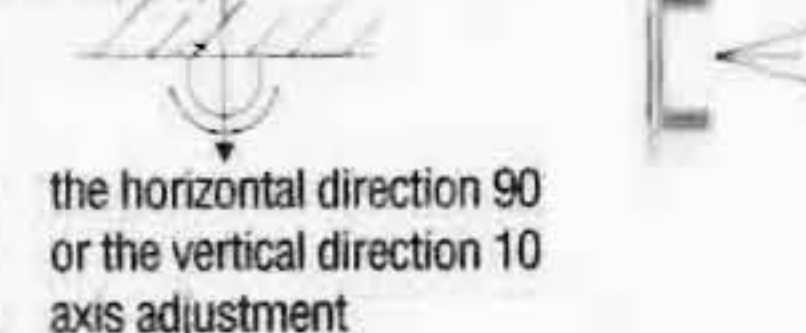
Installation height and warn the distance

	Warn the distance	Beam spread diameter
ABE-50	50m	1.5m
ABE-100	100m	3.0m
ABE-150	150m	4.5m
ABE-200	200m	6.0m
ABE-250	250m	7.5m



Axis adjustment range

horizontal direction 180° (±90°)
vertical direction 20° (±10°)



Long distance alert can use the multiple detectors, please click the installation way, in order to avoid beam interference with each other

3 Shading the adjustment of the time

By light device on the shading time to adjust, please refer to the general situation, set time should be a little smaller than the intruder alert through the time needed for the surface



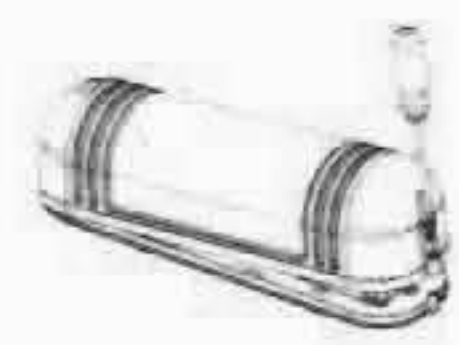
4 Operation confirmed

After complete set, must be walk test, please refer to form operation the confirmation

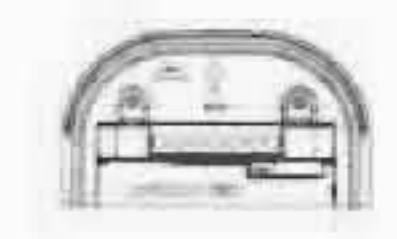
	status	expression
Light projector	Cast light	POWER Indicator Light
Light receptor	Alert when	Signal strength LEVEL indicator emit light
	Alarm when	ALARM Indicator Light

5 Installation method

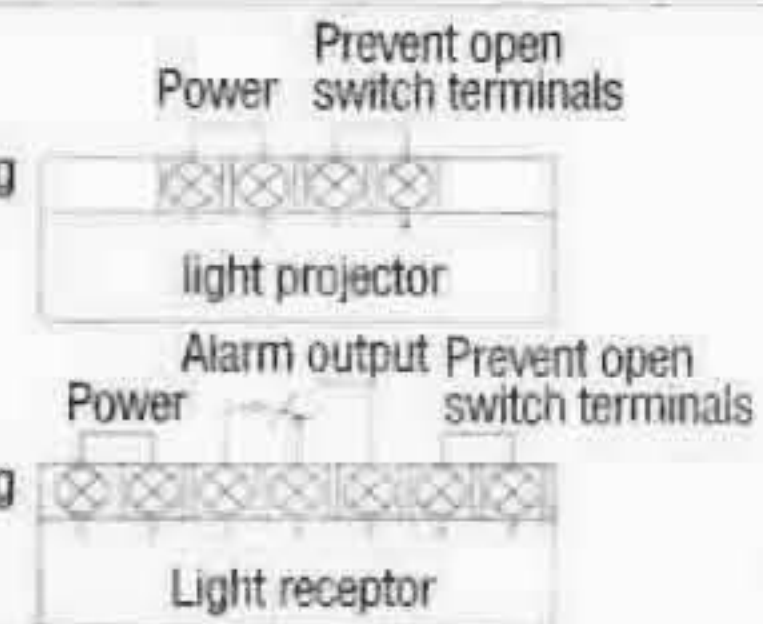
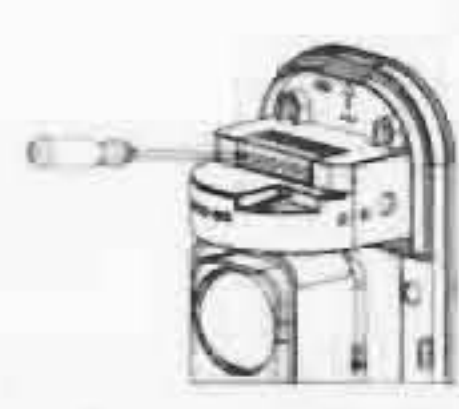
1. Dismantling the screw, and take cover
2. Through the cable wiring hole on the wiring
3. The ontology fixed in the wall



Installed in the method on the wall



4. The cable access wiring terminal



5. Finish the adjustment of the optical axis shading time after packed the outer garment

By the letter of the machine body to wiring distance

Wire Diameter	voltage	DC12V hour	DC12V hour
0.5mm (diameter 0.8)		300m	600m
0.75mm (diameter 1.0)		400m	800m
1.25mm (diameter 1.2)		700m	1400m
2.0mm (diameter 1.6)		1000m	2000m

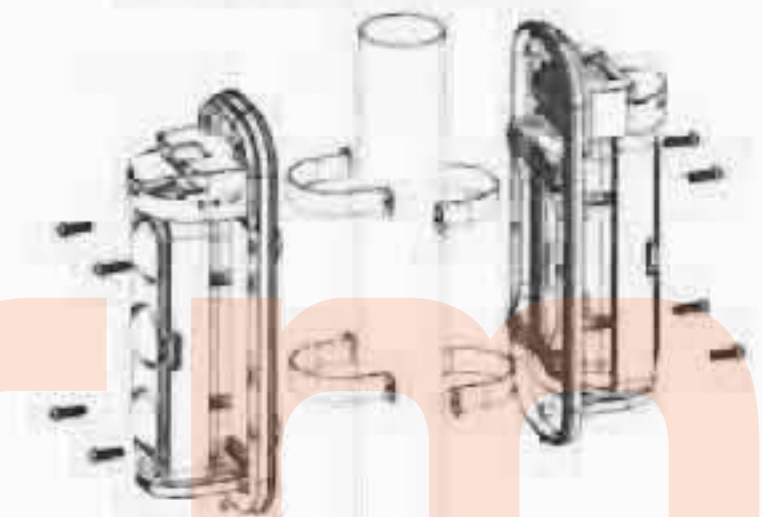
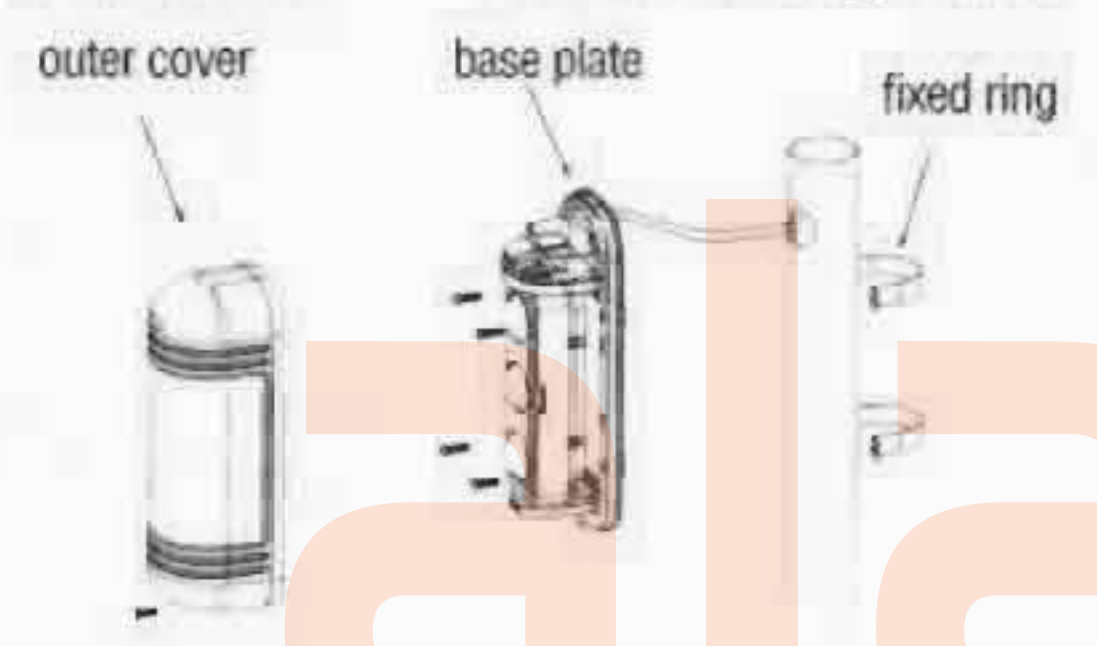
Fixed bracket installation method

1. On the stent drive hole and draw out cable good lead

2. Take off cover

3. Fixed the ontology in holder

when back to back installation, reference below picture

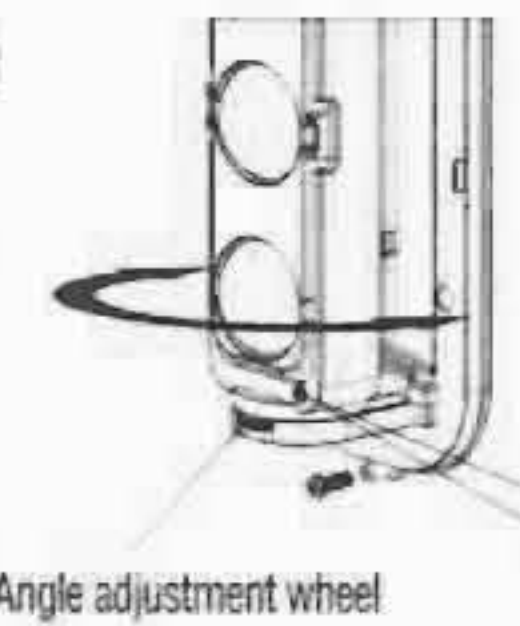
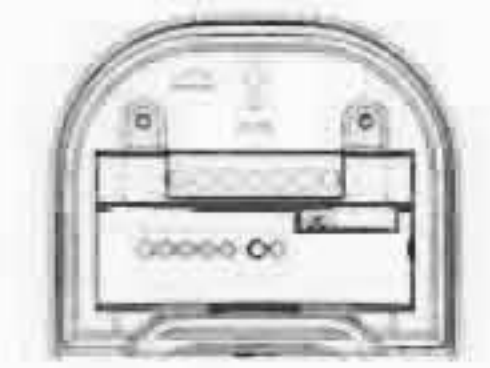


Stents outer diameter 38-50mm

6 Axis adjustment

1. Take cover input power supply after

2. Observe the strong signal indicator light effect

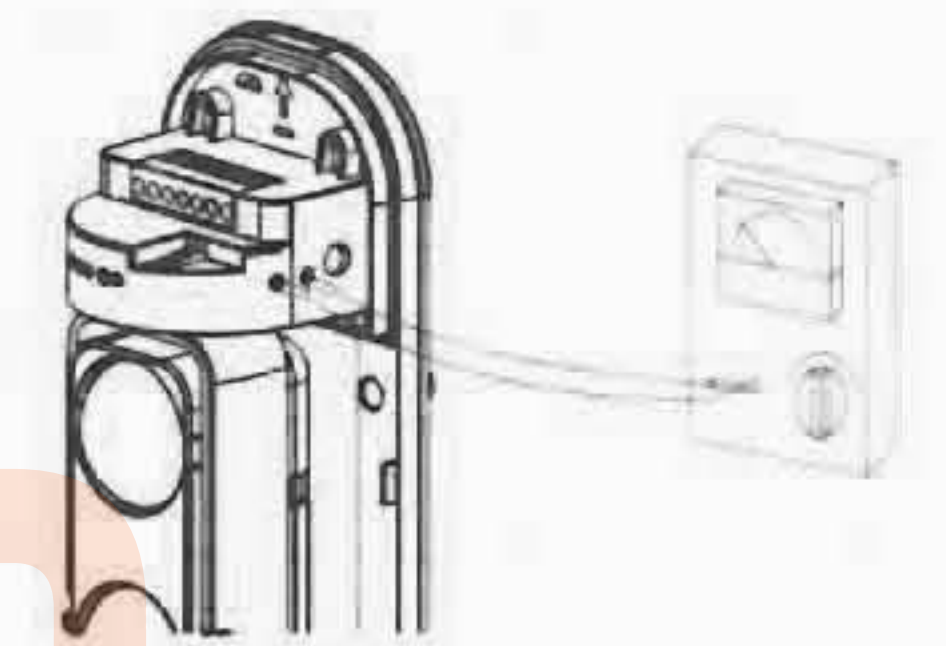


3. Adjust the vertical Angle adjustment screws and horizontal Angle adjustment wheel, Now accept signal strength indicator light up gradually, the fourth stage indicator light not brights please continue to adjust the optical axis

Accept the indicator light signal strength gradually, the more the high precision optical axis alignment

The best of the optcel axis adjustment method-signal strength test voltage output of the hole

1. Insert the test pen test a hole (note +,- polarity) the first level Angle, until the test voltage output hole is the largest, and then made the vertical adjustment, method and level the same Angle
2. If the fourth or above indicator light bright, the light cast by light and the device will be adjusted, and fourth or above indicator not bright, indicates that beam already alignment
3. If the test hole can't get 3.0V or above voltage, the light cast by light and is the need to make adjustments



7 When an exception that the inspection

8 technical parameters

failure	failure cause	countermeasure
The bright lights for the light	The power supply voltage is not suitable for (break line, short circuit, etc)	Check the power supply wiring
The bright lights by light		Check the power supply wiring
Light is interrupt, the bright lights by light	1) For reflection or other cast light is light into the by light 2) Two beams of light was also not interrupt 3) Shading time setting too short	1) Remove reflection object or change optical axis 2) At the same time interrupt two beams of light 3) Shading extended time
Lights is interrupt Light receptor indicator light inoperative After block light, the alarm indicator light by light, but no alarm signal output	1) Wiring or short circuit breakers 2) Contact contact undesirable	Examine the wiring and contacts
The alarm by light ChangLiang indicator	1) Axis don't coincide 2) Cast, by light between the obstacles 3) Cover is dirt pollution	1) Readjust the axis 2) Remove obstacles 3) Cleaning cover
Off and on have a warning signal output	1) Distribution bad 2) The power supply voltage has changed 3) Cast, by light there is actively between the obstacles 4) Installed base is not stable 5) Axis coincidence precision insufficient 6) Other mobile object shading 7) Reflect the time too fast 8) Not cover when shell fourth indicator light not bright	1) examine the wiring 2) Check The Power 3) Remove obstacles or chang place Settings 4) Choose explicitness place 5) To reset a axis 6) Adjust the shading time or change installation place 7) To adjust the shading of time 8) To adjust good optical axis, make accept signal to achieve the best

model	ABE-50	ABE-100	ABE-150	ABE-200	ABE-250
Warn the distance	50m	100m	150m	200m	250m
	150m	300m	450m	600m	750m
Beam number	3 beam of light				
Detection Model	3 beam of light and interrupt it checks type				
illuminant	Infrared digital pulse				
sensing device	50-700ms				
Alarm output	Relay contacts output 1c (COM, NC, NO) contact capacity A/C DC 30V 0.5A max				
supply voltage	AC 12-18V DC 12-24V Minimum Power 3W				
Current consumption	transmitter + receiving set ≤100mA				
Use humidity scope	-25°C ~ 55°C				
overall dimensions	reference outside view				
Prevent demolished output	Contact output: 1B (COM, NO), The contact point capacity AC/DC 30V 0.5A max				
adjust the Angle (level)	180° - (+90°)				
Axis adjust the Angle	20° - (+10°)				
The dew, the frost countermeasures	Heating type cover (and buy)				
Other additional function	By light show, OK instructions, test terminals				
material	PC (cover) +ABS (Ontology)				
net weight	856g (light projector + Light receptor each pieces)				
gross weight	1200g				

9 outline dimensional drawing

