

# PRODUCT TECHNICAL DATASHEET

# R90/F2ES

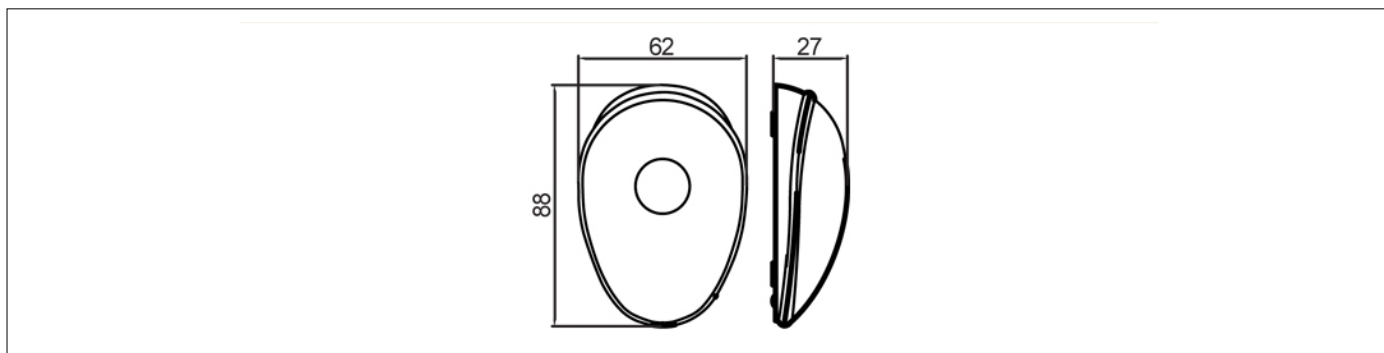


| CODE     | DESCRIPTION                               | PCS/PALLET |
|----------|---|------------|
| R90/F2ES | Pair of external photocells synchronized. |            |

## PRODUCT TECHNICAL SPECIFICATIONS

|   |                            |
|---|----------------------------|
| Standard power                              | 12/24V AC 50Hz - 12/24V DC |
| Absorption                                  | TX 19mA - RX 20mA          |
| Operating temperature                       | -20+55°C                   |
| Protection level                            | IP55                       |
| Maximum distance in open field              | 10 - 15 m                  |
| Maximum number of photocells synchronized   | 2                          |
| Orientation angle                           | -                          |
| Relay contacts max current                  | 0,5A RX                    |
| Relay contacts max voltage                  | 30V                        |
| Installation Type                           | External                   |
| Maximum dimension product in mm (L x W x H) | 62 x 88 x 27               |
| Product weight packed (Kg)                  | 0,1                        |

## PRODUCT DIMENSIONS AND PREPARING FOR INSTALLATION



## PRODUCT ACCESSORIES



**CFT500**  
Pair of column H 500 for  
photocells series R90.



**CFT501**  
Pair of column H 1000 for  
photocells series R90.