

## DS-7204HTHI-K1 SERIES TURBO HD DVR



### Features and Functions

#### Video Input and Transmission

- Self-adaptive HDTV/HD/SD/AV/TVBS signal input
- Up to 8-ch 8 MP IP cameras input
- 8 MP HDTV video input and live view
- Defogging function enabled for the supported analog cameras
- Long distance transmission over UTP and coaxial cable: max. 800m for 1080p and 1200m for 720p HDTV signal

#### Compression and Recording

- H.265 Pro+/H.265 Pro/H.265/H.264+/H.264 encoding for the main stream, and H.265/H.264 for the sub-stream of analog cameras
- Connectable to H.265+/H.265/H.264+/H.264 IP cameras
- H.265+ can be enabled to improve encoding efficiency and reduce data storage costs
- Full channel recording at up to 8 MP resolution

#### Video Output

- HDMI and VGA interfaces can be configured to be simultaneous or independent
- HDMI output at up to 4K (3840 × 2160) resolution
- Separate CVBS output

#### Storage and Playback

- 1 SATA interface (up to 10 TB capacity per HDD)
- 4-ch synchronous playback
- Smart search for efficient playback
- Supports the third-party cloud storage (Dropbox/Google Drive/Microsoft OneDrive)

#### Smart Function

- Supports multiple VCA (Video Content Analytics) events for both analog and smart IP cameras
- Supports line crossing detection and intrusion detection of all channels, and 2-ch sudden scene change detection
- VCA information overlay in live view and smart playback
- VQD (Video Quality Diagnostics)

#### Network & Ethernet Access

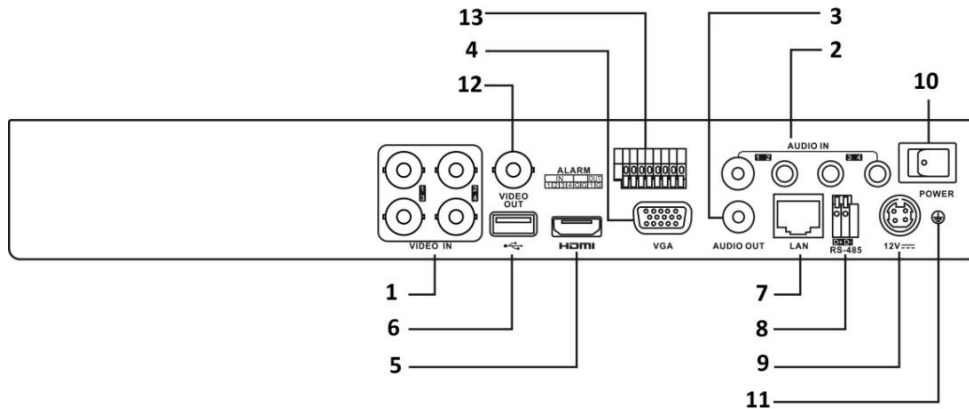
- Hik-Connect & DDNS (Dynamic Domain Name System) for easy network management
- 1 RJ45 10M/100M/1000M self-adaptive Ethernet interface
- Output bandwidth limit configurable



## Specifications

Model	DS-7204HTHI-K1		
Video/Audio input	<b>Video compression</b>	H.265 Pro+/H.265 Pro/H.265/H.264+/H.264	
	<b>Analog video input</b>	4-ch BNC interface (1.0 Vp-p, 75 Ω), supporting coaxitron connection	
	<b>HDTVI input</b>	8 MP, 5 MP, 4 MP, 3 MP, 1080p30, 1080p25, 720p60, 720p50, 720p30, 720p25	
	<b>AHD input</b>	5 MP, 4 MP, 3 MP, 1080p25, 1080p30, 720p25, 720p30	
	<b>HDCVI input</b>	4 MP, 1080p25, 1080p30, 720p25, 720p30	
	<b>CVBS input</b>	PAL/NTSC	
	<b>IP video input</b>	4-ch (up to 8-ch)	Up to 8 MP resolution
		Supports H.265+/H.265/H.264+/H.264 IP cameras	
		<b>Audio compression</b>	G.711u
	Video/Audio output	<b>Audio input</b>	4-ch, RCA (2.0 Vp-p, 1 KΩ)
<b>CVBS output</b>		1-ch, BNC (1.0 Vp-p, 75 Ω), resolution: PAL: 704 × 576, NTSC: 704 × 480	
<b>HDMI/VGA output</b>		<b>VGA:</b> 1-ch, 1920 × 1080/60Hz, 1280 × 1024/60Hz, 1280 × 720/60Hz, 1024 × 768/60Hz	
		<b>HDMI:</b> 1-ch, 4K (3840 × 2160)/30Hz, 2K (2560 × 1440)/60Hz, 1920 × 1080/60Hz, 1280 × 1024/60Hz, 1280 × 720/60Hz, 1024 × 768/60Hz	
<b>Encoding resolution</b>		8 MP/5 MP/4 MP/3 MP/1080p/720p/WD1/4CIF/VGA/CIF	
<b>Frame rate</b>		Main stream: 8 MP@12fps, 5 MP@20fps, 3 MP@18fps 4 MP/1080p/720p/WD1/4CIF/VGA/CIF@25fps (P)/30fps (N)	
		Sub-stream: WD1/4CIF/CIF@25fps (P)/30fps (N)	
<b>Video bit rate</b>		32 Kbps to 16 Mbps	
<b>Audio output</b>		1-ch, RCA (Linear, 1 KΩ)	
<b>Audio bit rate</b>		64 Kbps	
<b>Dual stream</b>		Support	
<b>Stream type</b>		Video, Video & Audio	
<b>Synchronous playback</b>		4-ch	
Network management	<b>Incoming bandwidth</b>	32 Mbps	
	<b>Remote connections</b>	32	
	<b>Network protocols</b>	TCP/IP, PPPoE, DHCP, Hik-Connect, DNS, DDNS, NTP, SADP, NFS, iSCSI, UPnP™, HTTPS, ONVIF	
Hard disk	<b>SATA</b>	1 SATA interface	
	<b>Capacity</b>	Up to 10 TB capacity for each disk	
External interface	<b>Two-way audio input</b>	1-ch, RCA (2.0 Vp-p, 1 KΩ) (using the 1 <sup>st</sup> audio input)	
	<b>Network interface</b>	1, RJ45 10M/100M/1000M self-adaptive Ethernet interface	
	<b>USB interface</b>	Front panel: 1 × USB 2.0 Rear panel: 1 × USB 3.0	
	<b>Serial interface</b>	RS-485 (half-duplex)	
	<b>Alarm in/out</b>	4/1	
General	<b>Power supply</b>	12 VDC	
	<b>Consumption (without HDD)</b>	≤ 15 W	
	<b>Working temperature</b>	-10 °C to +55 °C (+14 °F to +131 °F)	
	<b>Working humidity</b>	10% to 90%	
	<b>Dimensions (W × D × H)</b>	315 × 242 × 45 mm (12.4 × 9.5 × 1.8 inch)	
	<b>Weight (without HDD)</b>	≤ 1.5 kg (3.3 lb)	

## Physical Interfaces



Index	Description	Index	Description
1	VIDEO IN	8	RS-485 Serial Interface
2	AUDIO IN, RCA Connector	9	12 VDC Power Input
3	AUDIO OUT, RCA Connector	10	Power Switch
4	VGA Interface	11	GND
5	HDMI Interface	12	VIDEO OUT
6	USB Interface	13	Alarm In/Out
7	LAN Network Interface		

## Available Models

DS-7204HTHI-K1

Distributed by



## HIKVISION

### Headquarters

No.555 Qianmo Road, Binjiang District,  
Hangzhou 310051, China  
T +86-571-8807-5998  
overseasbusiness@hikvision.com

**Hikvision USA**  
T +1-909-895-0400  
sales.usa@hikvision.com

**Hikvision Italy**  
T +39-0438-6902  
info.it@hikvision.com

**Hikvision Singapore**  
T +65-6684-4718  
sg@hikvision.com

**Hikvision Africa**  
T +27 (0) 0351172  
sale.africa@hikvision.com

**Hikvision Europe**  
T +31-23-55-42-770  
info.eu@hikvision.com

**Hikvision France**  
T +33(0)1-85-330-450  
info.fr@hikvision.com

**Hikvision Oceania**  
T +61-2-8599-4233  
salesau@hikvision.com

**Hikvision Hong Kong**  
T +852-2151-1761

**Hikvision Middle East**  
T +971-4-8816086  
salesme@hikvision.com

**Hikvision Spain**  
T +34-91-737-16-55  
info.es@hikvision.com

**Hikvision Canada**  
T +1-909-895-0400  
sales.usa@hikvision.com

**Hikvision Russia**  
T +7-495-669-67-99  
saleru@hikvision.com

**Hikvision Poland**  
T +48-22-460-01-50  
poland@hikvision.com

**Hikvision Korea**  
T +82-31-731-8841  
sales.korea@hikvision.com

**Hikvision India**  
T +91-22-28469900  
sales@pramahikvision.com

**Hikvision UK**  
T +01628-902140  
support.uk@hikvision.com

**Hikvision Brazil**  
T +55 11 3318-0050  
Latam.support@hikvision.com