

# ALEAN

# ABE

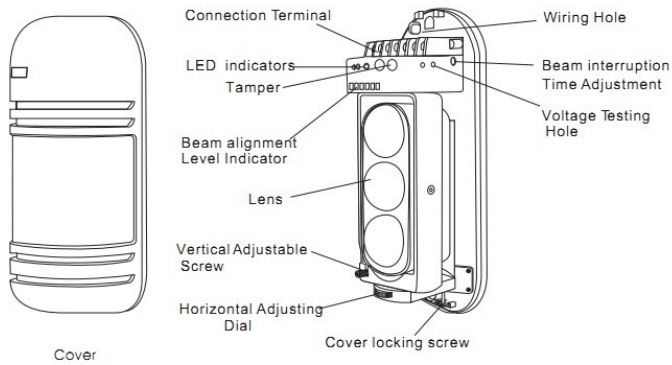
50/100/150/200/250M



## Long Range Photoelectric Beam Detector

ALEAN photo beam detectors, which offer more reliable protection and security options. It is designed to protect the perimeter of a building. Being one part of a complete system, it activates the alarm control panel when beams are blocked and protects a building's exterior before entry is attempted.

## STRUCTURE



## FEATURES

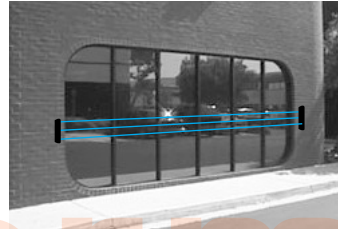
- 1) NC/NO alarm output optional. Compatible with all security alarm system and other functions.
- 2) Built-in automatic adjustable strong light filtering system (up to 50,000 LUX), Good performance against direct sunlight, completely against fluorescent and car light
- 3) AGC circuit, the detector will automatically increase sensitivity when faced harsh environment.
- 4) Easy alignment with LED indicators
- 5) Resistant to rain, fog, snow and frost

## APPLICATIONS

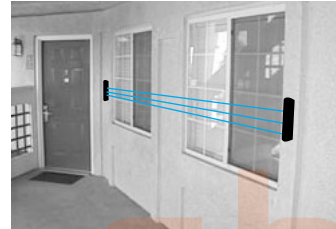
### SHOP



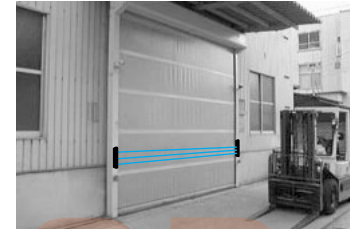
### OFFICE



### RESIDENCE



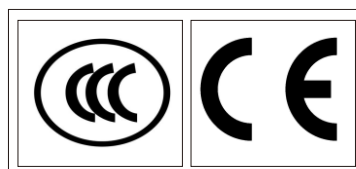
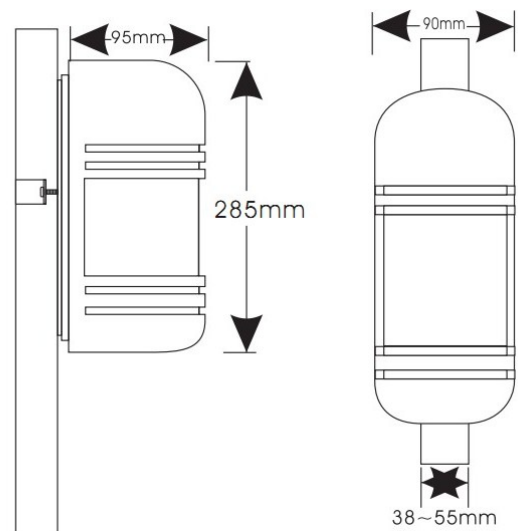
### WAREHOUSE



## SPECIFICATIONS

Model	ABE-50	ABE-100	ABE-150	ABE-200	ABE-250
Detecting distance	50m	100m	150m	200m	250
Height	270mm				
Detection means	photoelectric beam detector				
Number of beams	3 beams				
Light source	Infrared LED				
Response speed	50-700msec				
Alarm output	Switch signal output(NO/NC)				
Power and Voltage	DC12~24V AC11-18V				
Current consumption	100mAMax.				
Operating temperature	-25℃—55℃				
Tamper output	1B contact output, DC26V/0.5AMax.				
Exterior dimension	35cm*22cm*15cm				
Weight	1.9kg				

## DIMENSION



# ALEAN

SHENZHEN ALEAN SECURITY EQUIPMENT CO.,LTD  
 Building 1, Weihuada industrial park, Bao'An district, Shenzhen,  
 China  
 TEL 0086-755-88868181, FAX 0086-755-82823628  
<http://www.alean.cn>